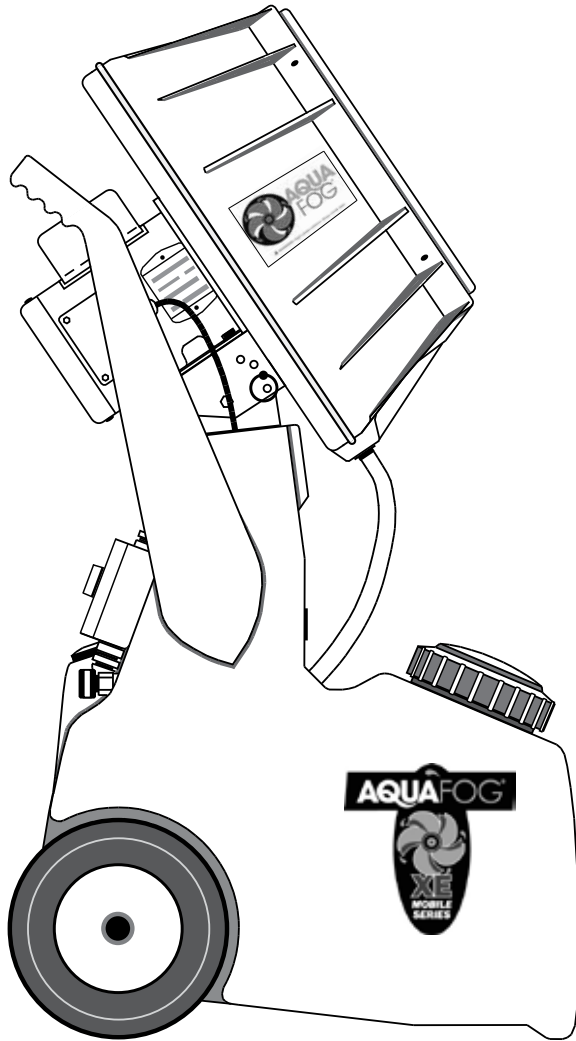




XE MOBILE ATOMIZER

USER'S MANUAL AND OPERATING INSTRUCTIONS



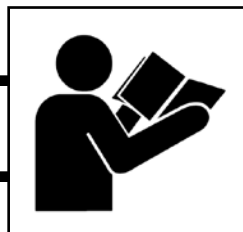
XE-HRSM-2000

- 115V 60Hz 1Ph
- 230V 50Hz 1Ph

Rear-Feed

UL and CSA Electrical Components

OPERATOR'S MANUAL



NOTICE

Read & Understand
Retain for Future Reference

TABLE OF CONTENTS

	PAGE
General Safety	3
Getting Started	4
Controls and Installation	5
Evaluation and Schematics	6
Troubleshooting	7 - 8
Aquafof Fan Exploded View	9 - 10
HRSM Tank Exploded View	11 - 12
Maintenance	13
Warranty	14

DESCRIPTION


Aquafof mobile units are intended to condition large volumes of air using water or other non-hazardous liquids at air temperatures between 31°F and 145°F. Any other use of these units will void the warranty and the manufacturer will not be responsible for problems or damages resulting from misuse.

Notes

SAFETY GUIDELINES

This manual contains very important information. This information will help ensure SAFETY and PREVENT EQUIPMENT PROBLEMS. Use these symbols to understand safety guidelines.

 **DANGER** DANGER INDICATES AN IMMEDIATELY HAZARDOUS SITUATION WHICH, IF NOT AVOIDED, WILL RESULT IN DEATH OR SERIOUS INJURY.

 **WARNING** WARNING INDICATES A POTENTIALLY HAZARDOUS SITUATION WHICH, IF NOT AVOIDED, COULD RESULT IN DEATH OR SERIOUS INJURY.

 **CAUTION** CAUTION INDICATES A POTENTIALLY HAZARDOUS SITUATION WHICH, IF NOT AVOIDED, MAY RESULT IN MINOR OR MODERATE INJURY.

 **NOTICE** NOTICE INDICATES IMPORTANT INFORMATION, THAT IF NOT FOLLOWED, MAY CAUSE DAMAGE TO EQUIPMENT.

GENERAL SAFETY

Since the mobile HRSM uses high-speed components to atomize liquids, the following safety precautions must be observed at all times:

1. Read all manuals included with this product. Be familiar with the product and controls.
2. The HRSM is intended to be used on level ground. Test for stability before operation.
3. Always operate HRSM with its safety guards and housing securely attached.
4. Follow United States Environmental Protection Agency (EPA) guidelines and regulations when fogging pesticide or chemical solutions.
5. Follow all local electrical and safety codes as well as the United States National Electrical Codes (NEC) and Occupational Safety and Health Act (OSHA).
6. Only persons well acquainted with these rules of safe operation should be allowed to use the atomizer.
7. Keep visitors away and NEVER allow children in the work area.
8. Use of an extension cord for the HRSM is not recommended. If necessary, refer to the A.W.G chart in the following section or consult a certified electrician.
9. Before each use, inspect blade assembly and electrical components for signs of damage, deterioration, weakness or leakage. Repair or replace defective items before using.



⚠ WARNING

MOTORS, ELECTRICAL EQUIPMENT AND CONTROLS CAN CAUSE ELECTRICAL ARCS THAT WILL IGNITE FLAMMABLE LIQUID OR GAS. NEVER OPERATE OR REPAIR IN OR NEAR FLAMMABLE LIQUID OR GAS. NEVER STORE FLAMMABLE LIQUIDS OR GASES IN THE VICINITY OF THE ATOMIZER.

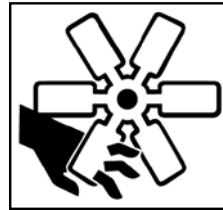


⚠ DANGER

HIGH-SPEED ROTATION

⚠ DANGER

KEEP SAFETY GUARDS ATTACHED AND IN GOOD WORKING CONDITION



A motionless atomizer may appear safe, but its blade could suddenly begin high-speed rotation without warning as a result of control programming.

When the HRSM is automated by controls, warning signs should be posted near the high-speed equipment.

Disconnect and lock out power source to inspect or service the unit.

⚠ WARNING

NEVER OPERATE UNIT WITHOUT THE HOUSING INSTALLED.

10. Check all fasteners at frequent intervals for proper tightness.
11. Keep fingers away from a running unit; fast moving and hot parts will cause injury and/or burns.
12. If the equipment starts to vibrate abnormally, STOP the motor and check immediately for the cause. Vibration is generally an indication of trouble.

Fogging Precautions

⚠ DANGER

DO NOT ATOMIZE FLAMMABLE MATERIALS.

1. Humidity and cold air are two common asthma triggers. Asthmatic people working with this equipment need to be made aware of the risk.
2. When atomizing toxic chemicals, follow the instructions provided by the chemical manufacturer.



GETTING STARTED

UNPACKING CHECKLIST

⚠ WARNING DO NOT OPERATE UNIT IF DAMAGED DURING SHIPPING, HANDLING OR USE. DAMAGE MAY RESULT IN BREAKAGE AND CAUSE INJURY OR PROPERTY DAMAGE.

- ▶ Un-crate carefully and position HRSM on level ground.
- ▶ Save crate and packing materials until evaluation and testing are complete.
- ▶ Read manual carefully and understand all instructions.
- ▶ Do not connect power until after thorough inspection and filling the sump with liquid.
- ▶ After filling the unit with some liquid, inspect for leaks.
- ▶ Never operate without liquid in tank.
- ▶ Be sure guards are securely in place and warnings are clearly visible.
- ▶ Check power supply for correct voltage.

ELECTRICAL

⚠ WARNING GROUND FAULT RECEPTACLES ARE RECOMMENDED AND MAY BE REQUIRED BY LOCAL AND/OR NATIONAL CODE.

⚠ NOTICE USE OF AN EXTENSION CORD IS NOT RECOMMENDED. IF NECESSARY, REFER TO FIG. 12.

Fig. 12

EXTENSION CORD SPECIFICATIONS*		
FOR SINGLE FAN USE ONLY • (AWG - American Wire Gauge)		
Voltage	25 to 50 ft.	50 to 100 ft.
115/230	16 AWG	14 AWG



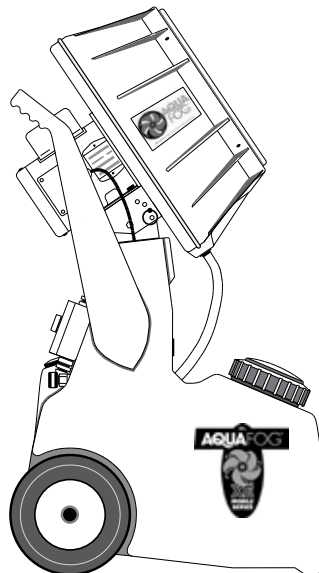
*Grounded and suitable for outdoor use.

UNIT PREPARATION

⚠ WARNING ENSURE THE BLADE ASSEMBLY IS FREE & CLEAR FOR START-UP (HIGH-SPEED ROTATION).

Locate a level, stable area to place the HRSM. If there's a slight grade, blocking the wheels may be necessary to keep unit secure.

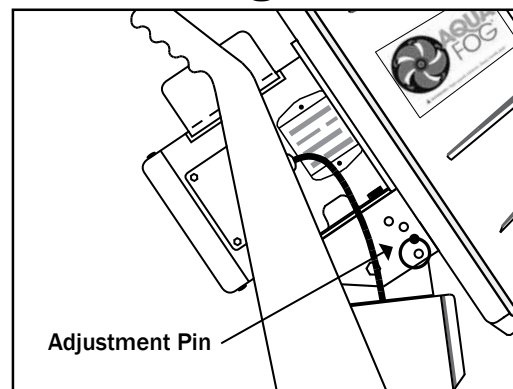
Visually check to make sure the fan blades can rotate freely. There should be approximately 1/4" space between the venturi pins and the blades.



The HRSM is equipped with a four position pivoting fogging head with 15° intervals up to 45° (see Fig. 1) Propelling the fog upward allows more time for the particles to evaporate, keeping floor areas drier.

When making an adjustment, support the weight of the fogging head off of the pin for easy removal.

Fig. 1



OPERATION

Operation Controls

The volume of fog can be regulated by adjusting the Flow Control Valve. (See Fig. 2)

Particle size is smaller/drier at lower outputs, so it is wise to operate the unit at a lower output for longer periods of time rather than high outputs for short periods of time.

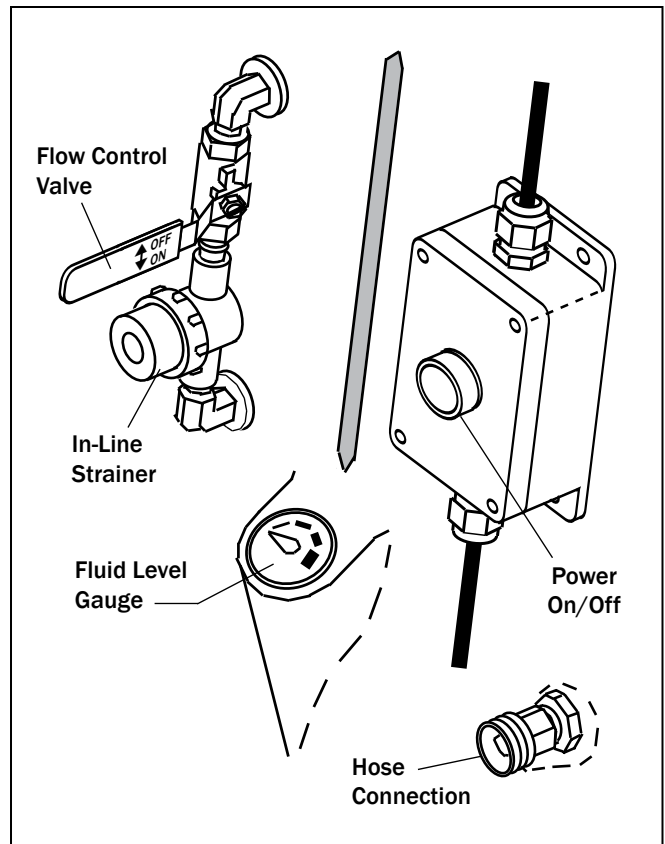
At the base of the plumbing is an in-line strainer with a removable cap. Occasionally check inside and flush any sediment from the screen.

The Hose Connection is used to supply fresh water to the unit and is controlled by an internal float valve assembly.

Rain-tight push button switch and junction box.

A Fluid Level Gauge to aid in monitoring the tank's 18 gallon capacity.

Fig. 2



INSTALLATION

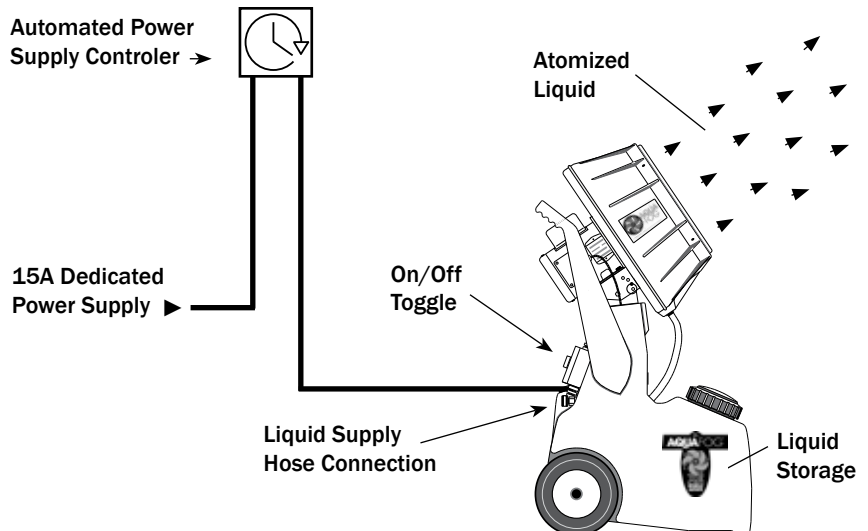
SETUPS

A) Automated Operation

Connect the unit's power cord to a power supply controller and switch on the unit's toggle switch.

B) Manual Operation

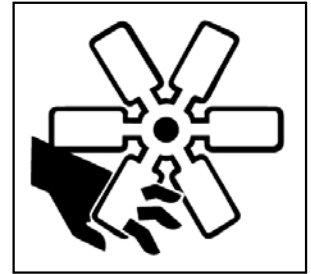
Plug unit into an available dedicated 15A power supply and use the unit's On/Off toggle switch to control operation.



TESTING AND EVALUATION

⚠ DANGER

BEFORE TESTING FAN MAKE SURE ALL OBJECTS ARE OUT OF THE ROTATION PATH OF THE FAN BLADES. HIGH-SPEED WARNING. KEEP HANDS CLEAR! MAKE SURE GUARDS ARE INSTALLED OR UNIT IS OUT OF REACH.



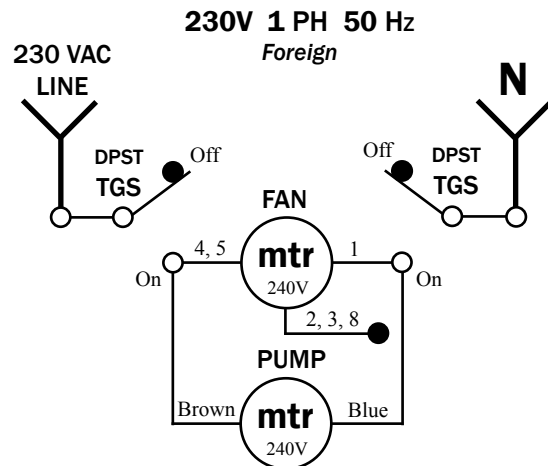
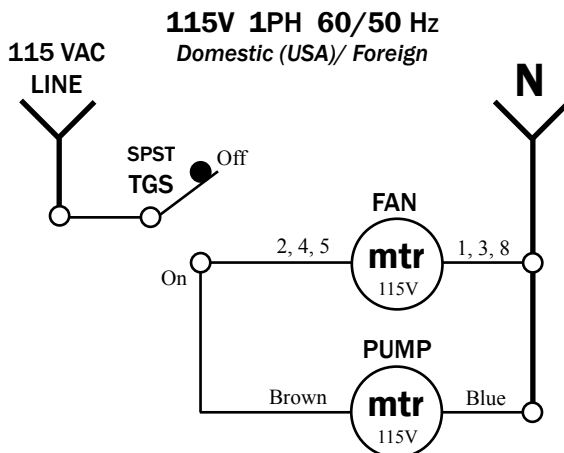
- ▶ For first-time evaluation, fill tank (with water only) about one quarter full.
- ▶ Connect to power supply.
- ▶ BUMP START HRSM and check for proper fan blade rotation (clockwise if looking at front of unit). If incorrect, find rotation connection changes on the motor's electrical schematic.

⚠ CAUTION

CAREFULLY LISTEN FOR UNUSUAL NOISE OR VIBRATION.

- ▶ Turn on the unit and listen for any possible abnormalities, such as the blades rubbing against the venturi. Make re-adjustments if necessary.
- ▶ Evaluate fog quality adjusting the output by using the flow control valve. (See Fig. 2). After starting, it generally takes several seconds for the liquid to reach the atomizing fan.

ELECTRICAL SCHEMATICS



○ Denotes Line Connection

● Denotes Termination

Note: All green wires go to ground

TROUBLESHOOTING



WARNING

***BEFORE INSPECTION AND /OR SERVICE
DISCONNECT AND LOCK OUT POWER SOURCE.***

1. Fan Does Not Operate

- A.) Check voltage requirements on unit and electrical supply. Check for live receptacle, plug, power line and toggle switch.
- B.) Look for any loose connections inside the main motor's junction box.

2. Blades Rub Against Venturi

- A.) To make a horizontal adjustment, loosen the 4 bolts (Part #56) at the base of the main fan motor and shift motor side to side until centered. Retighten bolts.
- B.) To make a vertical adjustment, slightly loosen 4 bolts (Part #52) and make necessary adjustments. Retighten bolts.

3. Unusual Noise

Squealing at start-up or during operation may be caused by the motor shaft's bearing seal. Spray with lubricant at the front of the motor where the shaft exits the motor's frame.

4. No Fog

A.) Check to see if flow control valve is open. The valve is open when the handle is down and closed when up. If the valve is open and there is still no fog, the pump may need to be primed. In rare cases the pump may retain an air bubble. To prime the pump, remove the inline strainer cap (Part #71) and turn the system ON for a few seconds. Replace cap and try operating unit again.

B.) If pump is receiving electricity but there is no fog, check for sediment in the pump's intake screen. Spray around the pump with a garden hose or remove the pump and thoroughly clean the intake screen. Clean and flush out the tank area by removing the drainage plug located on the bottom rear of RSM.

C.) If no liquid enters the tank when using the automatic fill, check float valve assembly for debris. When the float arm is up, water should shut off; when it is down, water should freely enter RSM tank.

5. Liquid Spilling From Overflow Port

A.) Check the float valve assembly. If the float (Part #99) is filling with water, it should be replaced. Also check to see if debris is not allowing the valve (Part #97) to seal properly. Clean as needed.

- B.) Reduce the in-line water pressure.

TROUBLESHOOTING (CONT.)



WARNING

**BEFORE INSPECTION AND /OR SERVICE
DISCONNECT AND LOCK OUT POWER SOURCE.**



6. Poor Quality Fog

- A.) The liquid feed tube (Part #575) may not be properly positioned. The feed tube is located behind the blade assembly and should be inserted approximately 1/4" into the slot between the motor shaft and the stainless steel face plate. Centered in the slot area and aimed slightly downward, free from any rotational contact.
- B.) Liquid not traveling through the fan blades. This can be diagnosed by viewing the back of a blade assembly during operation (using a bright flashlight). If system is clogged, liquid can be seen spinning out of the slot area between the motor shaft and stainless steel face plate (Part #573). If confirmed, replace fan blade assembly (Part #571-assy). Cleaning the internal passageways of a blade assembly is feasible with the aid of some speciality tools.

7. Fan Motor Becomes Excessively Hot

The main fan motor normally becomes very hot to the touch. However, if it gets so hot that it begins to smell or smoke or the power cord becomes hot, discontinue operation and consult an electrician to properly evaluate the problem.

8. Electrical Breaker Tripping

If the electrical breaker trips off, there is an overload in the system and there may be a serious motor problem. Turn off all other devices connected to the same circuit. If the breaker continues to trip, the motor is probably in need of repair. Consult an electrician for evaluation.

9. Fan and/or Motor Vibration

- A.) If the fan unit begins vibrating severely, first be sure the blade assembly is fully engaged and securely tightened on the motor shaft. Next, inspect the blade assembly, particularly the ends of the blades. Look for wear or cracks - replace as necessary. Look for deposits of calcium or minerals - clean and remove mineral deposits and/or calcium.
- B.) If the vibration seems to be coming from the motor, first check that the motor mounting hardware is securely tightened. If hardware is secure, remove the blade assembly and operate the motor without the blade. If vibration continues, the motor has a serious mechanical problem and probably needs to be replaced.

10. Liquid Spilling From Fan Housing

If liquid builds up inside the housing, the drain tube is probably clogged. Clean debris from the drain strainer and drain tube.

11. Plumbing Leaks

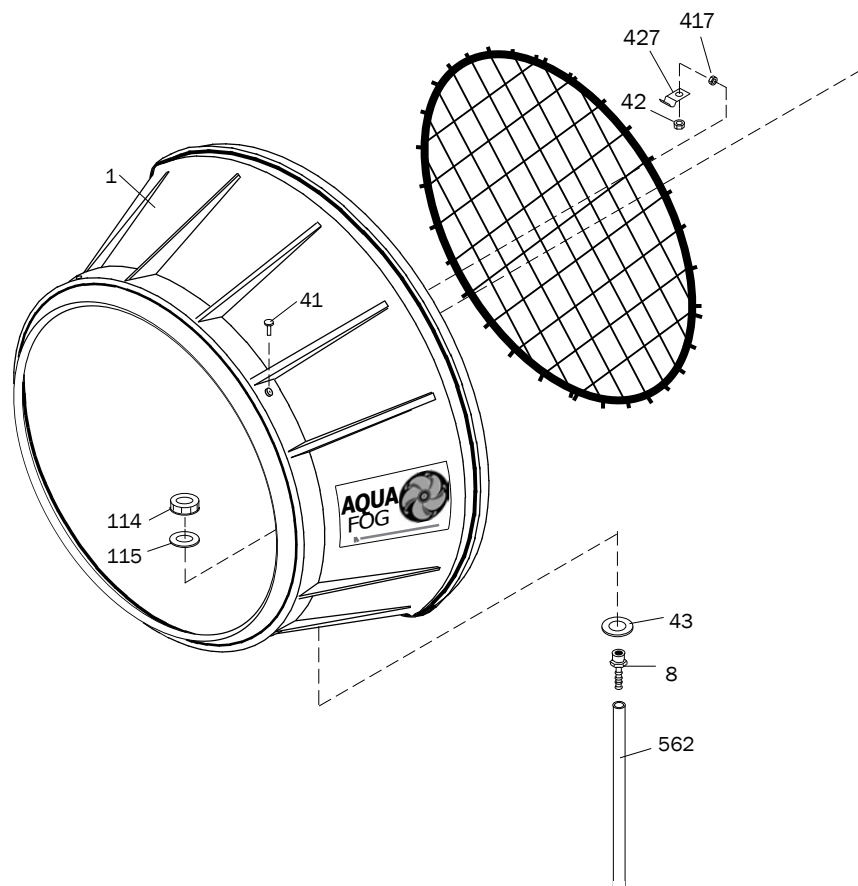
Un-thread fittings and clean both the male and female threads. Apply new thread tape (approximately 2-3 wraps) and reconnect. If a tube fitting is leaking, tighten the cap - no more than 1 turn past finger tightened. If the leak persists, replace the tube fitting insert.

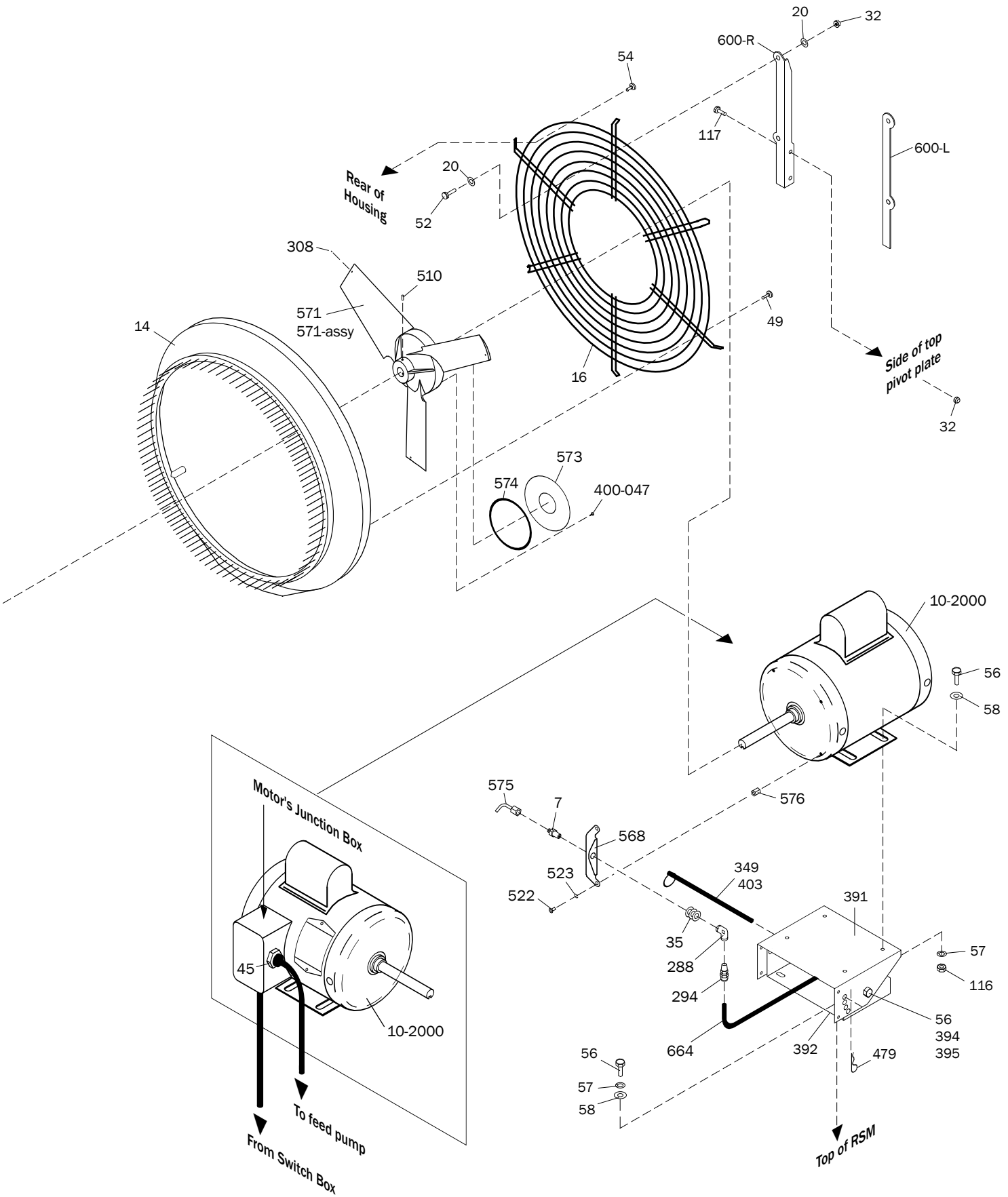
Contact Your Sales Representative for Further Assistance.

AQUAFOG FAN EXPLODED VIEW

PART IDENTIFICATION

ID #	Description	Qty/Unit
1	Housing	1
2	Safety guard	1
7	Liquid feed tube fitting	1
8	Drain fitting	1
10-2000	WDD motor 115/240V // 60/50Hz	1
14	Pinned venturi assembly	1
15	Fan blade assembly (1 HP, 30°)	1
16	Rear guard	1
20	1/4" Heavy large diameter washer	8
32	1/4-20 nylon stop nut SST	8
35	SST washer for feed tube fitting	3
41	10-24 x 3/8" phillips RH SST	4
42	10-24 nylon stop nut SST	4
43	11/16 x 1 1/4" flat washer SST	1
45	Liquid-tight cord fitting	2
49	10-24 x 1/2" TH phillips SST	4
52	1/4-20 x 3/4" HH bolt SST	4
54	1/4-20 x 3/8" button head cap screw	6
56	5/16-18 x 3/4" HH bolt SST	8
57	5/16" lock washer SST	8
58	5/16" flat washer SST	12
114	Drain fitting nut	1
115	Drain gasket	1
116	5/16-18 finish nut SST	4
117	1/4-20 x 5/8" HH bolt SST	4
288	1/8" NPT-F elbow	1
294	1/8" NPT-M x 3/8" tube fitting	1
308	XE blade tip setscrew SST	3
349	5/16" brass rod	1
391	Top pivot plate	1
392	Bottom pivot plate	1
394	Brass pivot washer	2
395	5/16" nylon lock nut	2
400-047	XE Faceplate screw SST	8
403	Brass ring	1
417	Machine Nut	4
427	Safety Guard Clip	4
479	Hair pin SST	1
510	10-24 setscrew SST	2
522	10-32 x 1/4" button head cap screw	2
523	#10 lock washer SST	2
562	Drain tubing	1.5'
568	XE Feed tube support SST	1
571	Turbo XE blade assembly (Ref.)	1
573	XE rear-feed faceplate SST	1
574	O-ring	1
575	XE SST Feed tube	1
576	Brass stand-off	2
600-L	RSM support left	1
600-R	RSM support right	1
664	3/8" high flex tubing	2'

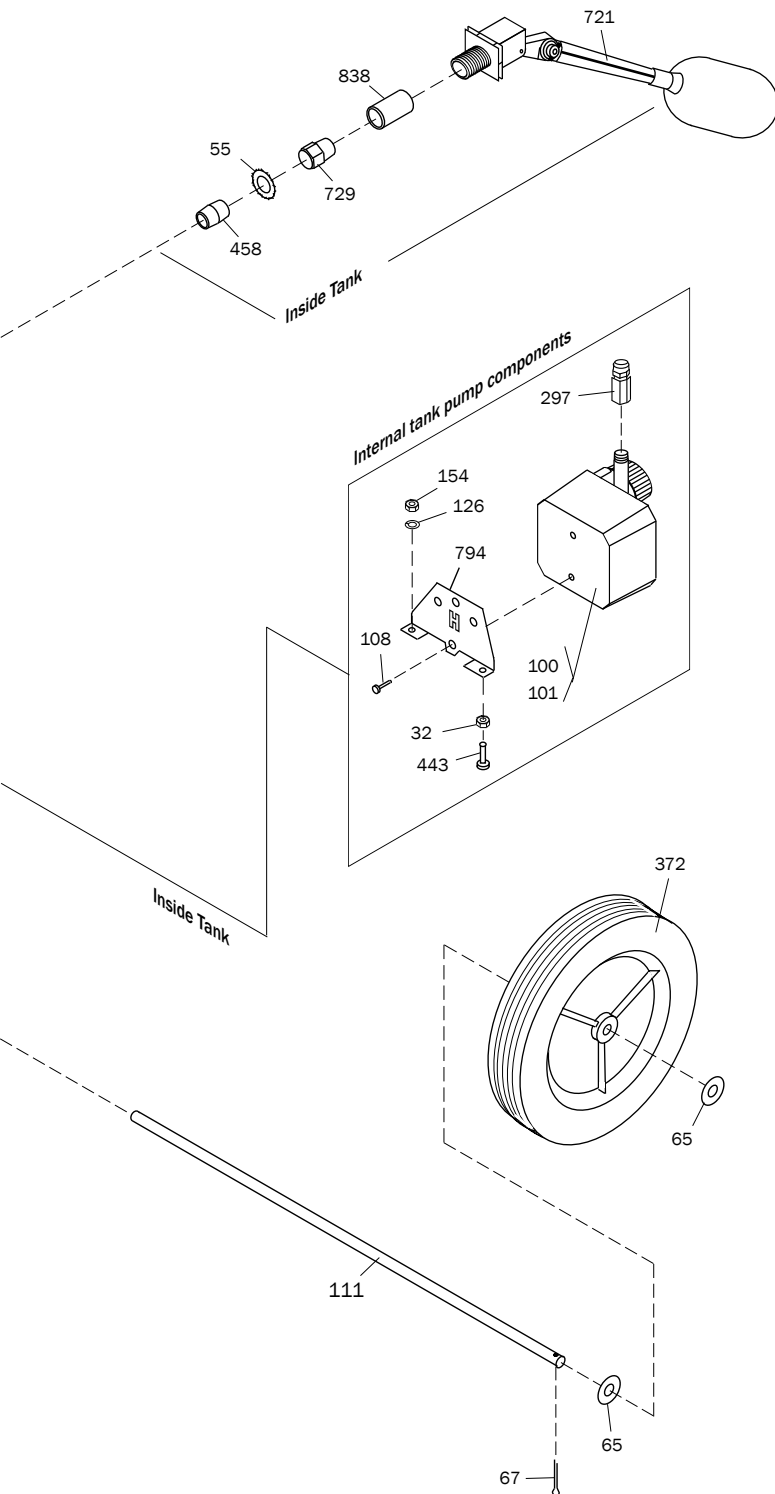




PART IDENTIFICATION LIST

PART IDENTIFICATION

ID #	Description	Qty/Unit
32	1/4-20 nylon stop nut SST	2
45	Liquid-tight cord fitting	2
55	M20 Serrated lock washer SST	1
59	Fluid level gauge	1
60	RSM tank	1
61	Fill cap	1
65	1/2" flat washer SST	8
67	5/32 x 1 1/4" hair pin	2
71	Inline strainer 1/4" female NPT	1
75	Flow control valve	1
76	10-24 x 3/4" phillips RH SST	2
93	Hose gasket screen	1
94	Hose connector	1
96	Float Valve Gasket	1
100	Pump HRSM 115 volt 60hz.	1
101	Pump HRSM 230 volt 50hz.	1
108	#8 x 3/8" self tapping phillips SST	2
111	Axle SST	1
126	1/4" lock washer SST	2
143	1/4" NPT-M x 3/8 tube fitting	2
154	1/4-20 finish nut SST	2
198	18' power cord and plug 115V	1
281	10-24 keps nut SST	2
297	1/4" NPT-F x 3/8 tube fitting	1
351	1" NPT black nylon hex plug	1
372	Heavy-duty RSM wheel	2
443	1/4-20 x 1-1/4" HH bolt	2
458	1/2 NPT Close nipple	1
586	1/4 NPT Hex nipple	3
677	11/16 x 1-1/4" flat washer SST	1
700	Switch Box	1
712	ON/OFF Push-button switch	1
713	Switch shim washer	1
721	RSM Float valve	1
729	1/2 NPT adaptor	2
730	1/4 NPT elbow	2
794	H Pump support bracket	1
838	1/2 NPT PVC coupler	1
W-38	3/8" black tubing	2.5'



MAINTENANCE



WARNING

**DISCONNECT AND LOCK OUT POWER SOURCE
BEFORE SERVICING**

1. Clean Strainers

The RSM is equipped with 2 strainers that should be cleaned periodically - the Inline Strainer (Part #71) at the bottom of the Flow Control Valve and the Pump Screen on the Pump. Check strainers and remove any trapped debris.

2. Flush Out Tank

The tank should be rinsed regularly, especially if using chemicals. Remove drain plug (Part #351) and, using a garden hose, thoroughly flush tank and pump of any sediment.

3. Lubricate Main Motor

The main motor is a permanently lubricated motor, but it is beneficial to apply spray oil around the shaft where it exits the motor body. Lubricate motor once a season or whenever squealing occurs.

4. Inspect Blade Assembly

Clean the blade assembly about once a year, especially if a film of calcium or mineral deposits is visible on the exterior of the blades. Remove any build-up from the blades and any debris from blade passageways. While cleaning, inspect for irregularities or hair-line cracks and replace as necessary.

5. Storage

Protect your mobile Aquafog from winter damage. Expansion due to freezing can burst the fittings or the internal feed pump. If storing unit in below freezing temperatures, be sure all fluid is drained from the tank area. Damage due to freezing is not covered under warranty.



ONE YEAR LIMITED WARRANTY

AquaFog and accessories are warranted to the original purchaser against defects in material and workmanship under normal use for one full year from date of purchase. Any part determined to be defective and returned to the manufacturer, shipping cost prepaid, will be repaired or replaced at Jaybird Manufacturing, Inc.'s discretion without charge. Proof of purchase date and an explanation of the problem or complaint must accompany the returned portion of the machine.

Jaybird Manufacturing, Inc. reserves the right to verify the legitimacy of claimed defects. The provisions of this warranty do not apply to damage resulting from direct or indirect misuse, negligence, accident, lack of maintenance, or unauthorized repairs or alterations which affect the machine's performance or reliability.

LIMITATIONS OF LIABILITY. TO THE EXTENT ALLOWABLE UNDER APPLICABLE LAW, JAYBIRD MANUFACTURING, INC.'S LIABILITY FOR DEATH, INJURIES TO PERSONS OR PROPERTY, OR FOR CONSEQUENTIAL OR INCIDENTAL DAMAGES ARISING FROM THE USE OF OUR EQUIPMENT IS EXPRESSLY DISCLAIMED. JAYBIRD MANUFACTURING, INC.'S LIABILITY IN ALL EVENTS IS LIMITED TO, AND SHALL NOT EXCEED, THE PURCHASE PRICE PAID. NO OTHER WARRANTY, EXPRESSED OR IMPLIED, IS AUTHORIZED, INCLUDING WARRANTIES OF MERCHANTABILITY AND FITNESS FOR A PARTICULAR PURPOSE.

This warranty gives you specific legal rights, and you may also have other rights, which vary from state to state.



Jaybird Manufacturing, Inc.

135 Summer Lane
Centre Hall, PA 16828

Parts & Service: 1.814.364.1800

Website: www.jaybird-mfg.com

Printed in U.S.A.

© 2024 Jaybird Mfg., Inc.